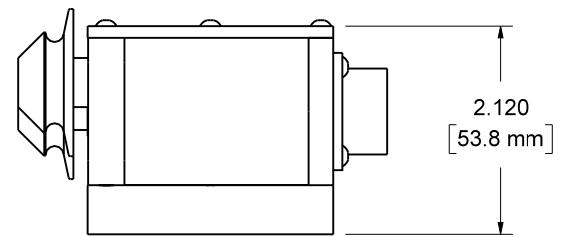
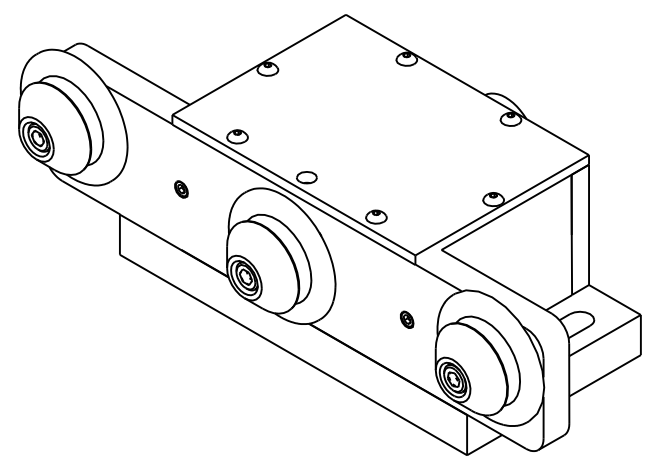
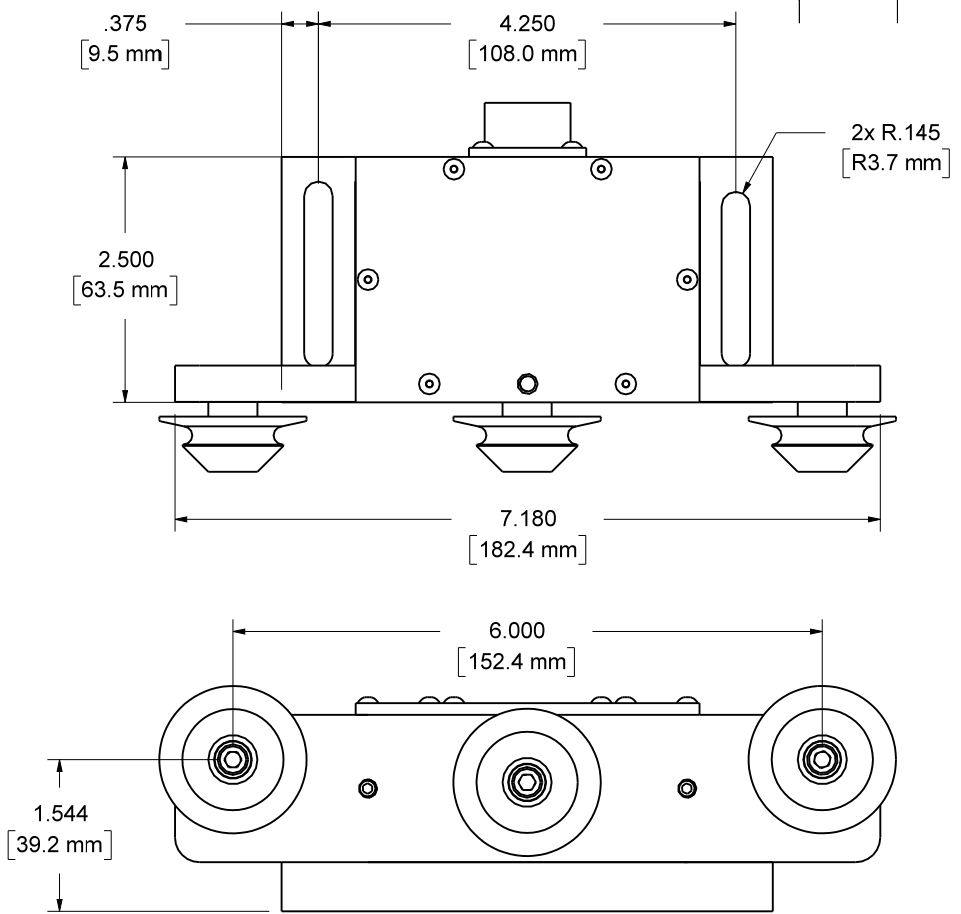


Revisions

SYM	Description	Date	Approval



Typical Transducer Specifications

- *Tension Range: Supplied to Customer's requirements.
- *Contact Elements: To fit application.
- *Operating Temperature: 70 ± 25° F. (Special ranges available)
- *Connecting Terminals: 5 pin Amphenol plug or terminated ends.
- *Excitation Voltage: 4-10 VDC.
- *Bridge Resistance: 350 ohms nominal.
- *Output Signal: 1.0 - 2.0 mv/V nominal.
- *Resistance to Ground: Exceeding 500 Megaohms.
- *Zero Balance: Less than 1.5% FS
- *Drift at Midpoint: 0.2%
- *Noise Level: Less than 0.2%
- *Linearity: 0.5%
- *Combined Linearity & Hysteresis: ± .75%
- *Total Error: 1% FS
- *Overload Tension: 50% Overated
- *Shielded Cable: 10' standard length.

- NOTE 1. MAXIMUM TENSION RANGE OF 150 LBS (75 KG) OVER SEVERAL RANGES.
- NOTE 2. PULLEY DIAMETERS, MATERIAL AND SHAPE OF GROOVE/RADIUS TBD BY APPLICATION.
- NOTE 3. POSITIONING OF OUTER ROLLERS CAN BE ADJUSTED (THREE POSITIONS) TO INCREASE OR DECREASE WRAP ANGLE.

Material ALUMINUM		Finish CLEAR ANODIZE		Heat Treat	
DIMENSIONAL TOLERANCES UNLESS OTHERWISE SPECIFIED		TITLE		Weight	
FRAC.	DEC.	ANG.	STANDARD, THREE ROLLER LOW FORCE LOAD CELL		
± 1/64	± .005	± 30°			
Scale 1:2	No. Req'd	Drawn SHS	Date 11-16-11	Size	Drawing Number
Next Assy		Checked	Date		E-091-00
		Approved	Date		Issue 2

