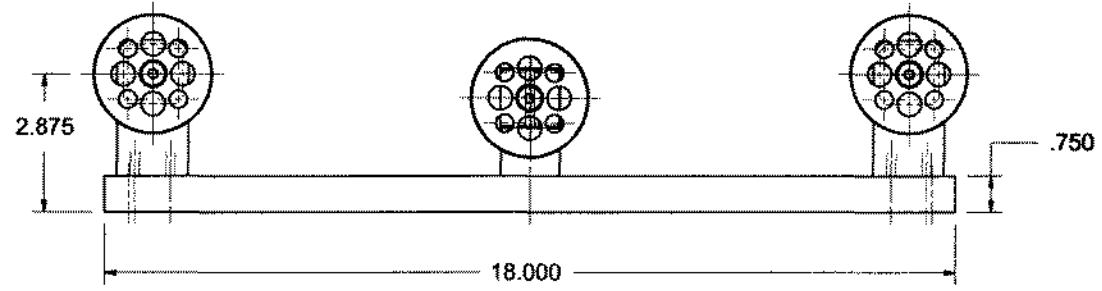
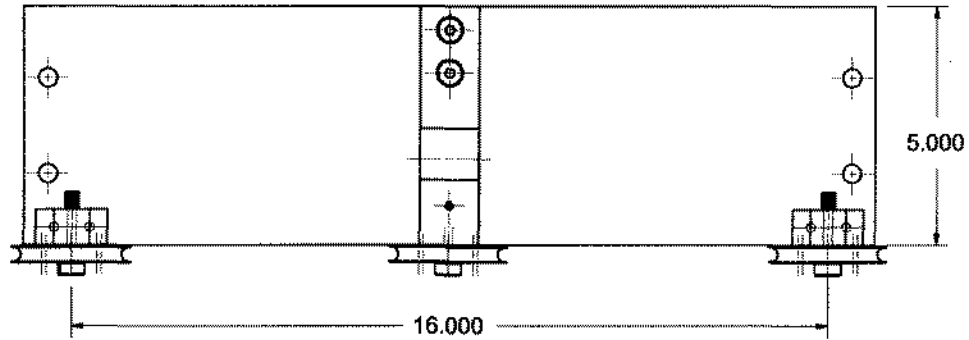
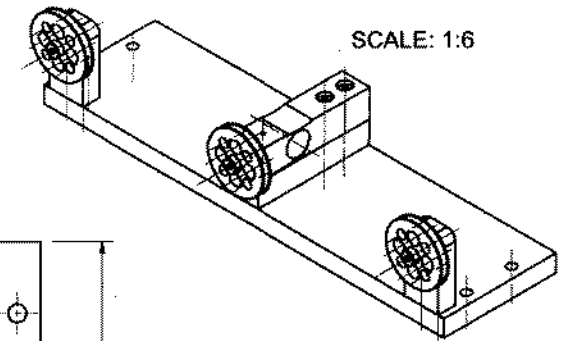


Typical Transducer Specifications


- *Tension Range: Supplied to Customer's requirements.
- *Contact Elements: To fit application.
- *Operating Temperature: 70 ± 25 F. (Special ranges available)
- *Connecting Terminals: 5 pin Amphenol plug or terminated ends.
- *Excitation Voltage: 4-10 VDC.
- *Bridge Resistance: 350 ohms nominal.
- *Output Signal: 1.0 - 2.0 mv/V nominal.
- *Resistance to Ground: Exceeding 500 Megaohms.
- *Zero Balance: Less than 1.5% FS
- *Drift at Midpoint: 0.2%
- *Noise Level: Less than 0.2%
- *Linearity: 0.5%
- *Combined Linearity & Hysteresis: ± .75%
- *Total Error: 1% FS
- *Overload Tension: 50% Overrated
- *Shielded Cable: 10' standard length.

Revisions			
SYM	Description	Date	Approval



Application Note:

Roller configuration adjustable to meet specific applications. For optimum accuracy evenly guide material over pulley with a minimum wrap angle of 12°. For best accuracy keep wrap angle as consistent as possible.

Material ALUMINUM			Finish CLEAR ANODIZE			Heat Treat Weight		
DIMENSIONAL TOLERANCES UNLESS OTHERWISE SPECIFIED			TITLE TYPICAL 3 ROLLER NOTCHED BEAM TRANSDUCER			 733 South Bowen Street Longmont, CO 80501		
FRAC.	DEC.	ANG.						
± 1/64	± .005	± 30'						
Scale 1:4	No. Req'd		Drawn SHS	Date 12-28-05	Size	Drawing Number		Issue
Next Assy			Checked	Date	E-095-03			
			Approved	Date				