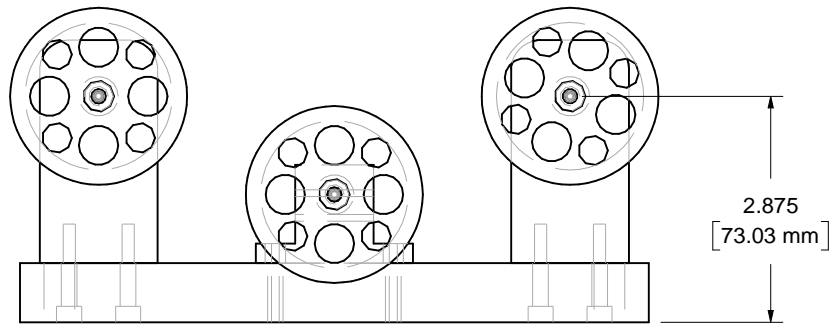
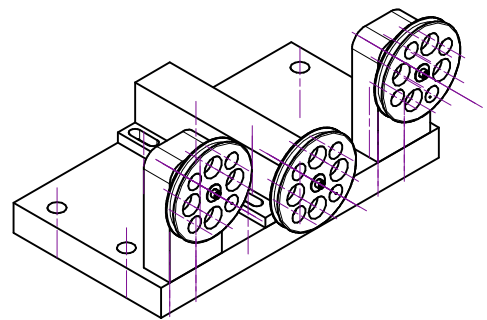
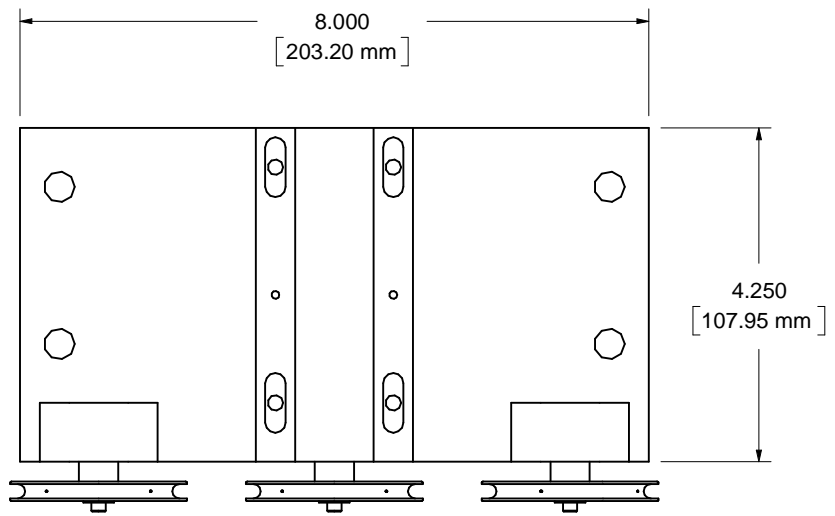


Typical Transducer Specifications


- *Tension Range: Supplied to Customer's requirements.
- *Contact Elements: To fit application.
- *Operating Temperature: 70° ± 25 F, (Special ranges available.)
- *Connecting Terminals: 5 pin Amphenol plug or terminated ends.
- *Excitation Voltage: 4-10 VDC.
- *Bridge Resistance: 350 ohms nominal.
- *Output Signal: 1.0 - 2.0 mv/V FS nominal.
- *Resistance to Ground: Exceeding 500 Megaohms.
- *Zero Balance: Less than 1.5% FS.
- Drift at Midpoint: 0.2%
- Noise Level: Less than 0.2%
- Linearity: 0.5%
- Combined Linearity & Hysteresis: ± .75%
- Total Error: 1% FS
- Overload Tension: 50% Overated
- Shielded Cable: 10' standard length.

Revisions			
SYM	Description	Date	Approval



Application Note:

Dimensions of Mounting platform, Roller size and configuration, and material wrap angle through rollers can be adjusted to meet specific application requirements.

Material ALUMINUM			Finish CLEAR ANODIZE			Heat Treat		
DIMENSIONAL TOLERANCES UNLESS OTHERWISE SPECIFIED			TITLE PLATFORM MOUNTED FIBER TRANSDUCER			Weight		
FRAC.	DEC.	ANG.				 733 South Bowen Street Longmont, CO 80501		
± 1/64	± .005	± 30°						
Scale 1:2.5	No. Req'd		Drawn SHS	Date 6-22-07	Size	Drawing Number		Issue
Next Assy			Checked	Date		F-1806		
			Approved	Date				