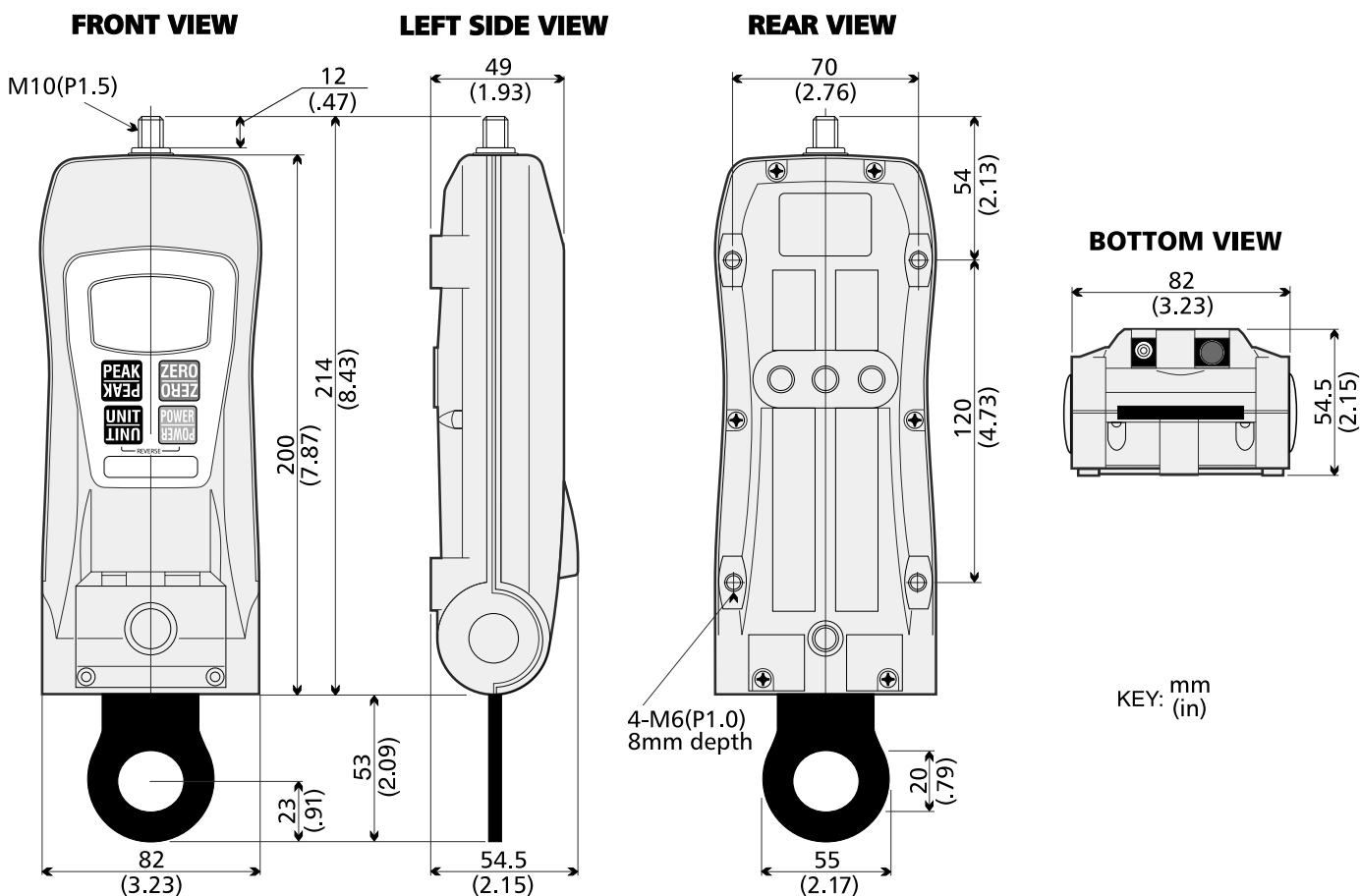


# Digital Force Gauges



## FGV - H X & FGE - H X SPECIFICATIONS

Model	FGE-200HX	FGE-500HX	FGV-200HX	FGV-500HX
<b>Capacity</b>	200 lb 100 Kg 1000 N	500 lb 250 Kg 2500 N	200 lb 100 Kg 1000 N	500 lb 250 Kg 2500 N
<b>Resolution</b>	0.1 lb/0.1 Kg/1 N			
<b>Accuracy</b>	±0.2% F.S.			
<b>Display</b>	Four digit LCD, .47" high (12 mm) with various indicators including tension and low battery indication (reversible)			
<b>Average/Peak Mode</b>	Selectable			
<b>Display Update</b>	0.05, 0.1, 0.2, 0.3, 0.5, 1 sec			
<b>Sampling Rate</b>	1000 times per second			
<b>Overload Capacity</b>	200% of F.S.	150% of F.S.	200% of F.S.	150% of F.S.
<b>Power</b>	Rechargeable Ni-Cad batteries (included) or AC adapter/charger (included)			
<b>Auto Power Shut-Off</b>	Yes (not active if adapter/charger is in use)			
<b>Temperature Range</b>	32° - 104°F (0° - 40°C)			
<b>Dimension / Weight</b>	8.43" L x 3.23" W x 2.15" H (214 mm x 82 mm x 54.5 mm) / 2 lb (900 g)			
<b>Standard Accessories</b>	AC adapter/charger, carrying case, 2 handles, inch adapter and attachments (flat head, hook, chisel, notched head, cone head, extension rod) FGV-RS232CABLE is included with FGV-HX series only			
<b>Approvals</b>	CE approved			
<b>OPTIONAL</b>	NIST certs with data			

## FGV - H X OUTPUT SPECIFICATIONS

<b>RS232C Output Port</b>	Selectable baud rate: 2400, 4800, 9600, 19,200bps	Data length: 8 bits	Stop bit: 1 bit	Parity: none	Software flow control: none
<b>Analog Output Port</b>	±1 VDC output (through a 12 bit D/A converter)				
<b>Overload Output</b>	One NPN OC transistor for tension, one NPN OC transistor for compression				