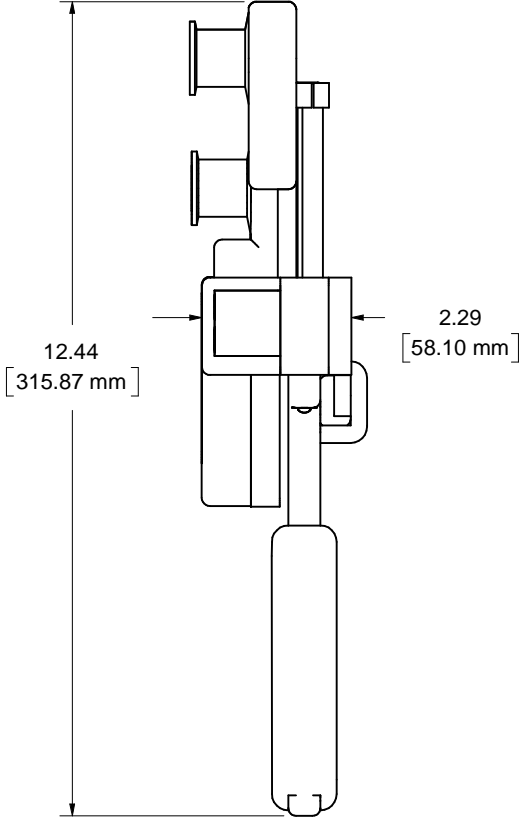
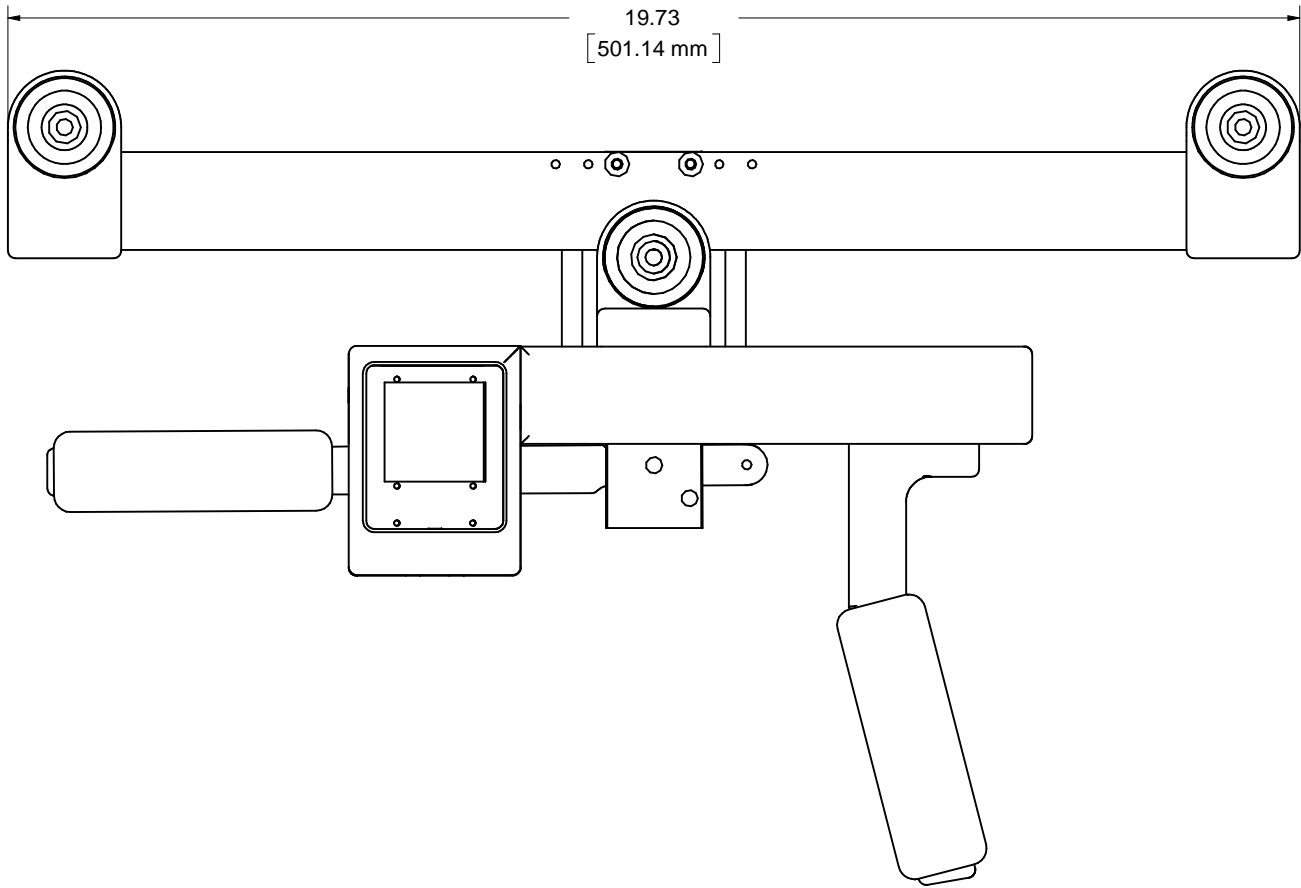



Revisions			
SYM	Description	Date	Approval



Material 6061			Finish CLEAR ANODIZE		Heat Treat	
DIMENSIONAL TOLERANCES UNLESS OTHERWISE SPECIFIED			TITLE		Weight	
FRAC.	DEC.	ANG.	DIGITAL CABLE TENSION METER CX-1000 AND CX-2000		 733 South Bowen Street Longmont, CO 80501	
± 1/64	± .005	± 30°				
Scale 1:3	No. Req'd		Drawn SHS	Date 10-21-08	Size	Drawing Number
Next Assy			Checked	Date	Issue	
			Approved	Date	1	