

LX SERIES

PRECISION DIGITAL TENSION METERS

ACCURATE

DEPENDABLE

RELIABLE



TENSITRON



LX

- Large, easy to read, graphic display with adjustable backlighting and contrast.
- Select tension values to indicate in Lbs, Kg or Newtons.
- Display shows Tension, Battery Charge level and Material selected.
- Push a button to activate the Memory Function to store and display up to five separate tension readings plus the average value (AVG) of these stored readings.
- Accuracy is +/- 2% full-scale for all menu-selectable calibrations. Accuracy for custom calibrations is material specific.
- Up to 10 calibrations can be programmed into instrument. (All calibrations are password protected to provide due diligence against unauthorized changes).
- Adjustable LCD refresh rates allow for stable digital readings.
- All models typically available from stock.
- All models factory calibrated and ready for use.
- All calibration values traceable to National Standards.
- Calibration certificate included.

TENSITRON INC.

*The industry standard in tension
meters and tension measuring
since 1935*

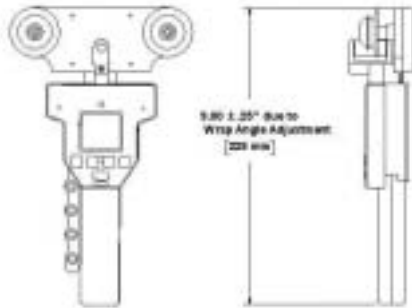
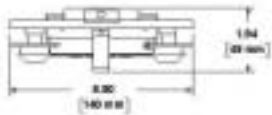


- Battery Charge Level
- Selectable Tension in Lbs, Kg or Newtons
- Select Material Type & Size. Instrument Automatically Adjusts Calibration
- Store and Display Up to 5 Separate Tension Readings and Their Averages

STANDARD INSTRUMENTS*

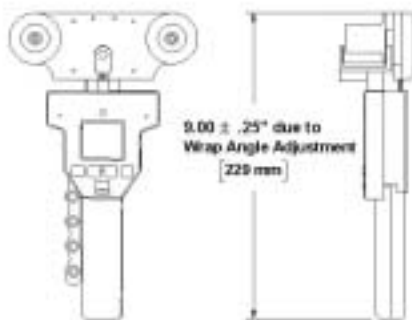
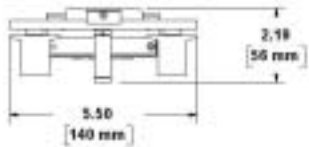
MODEL	RANGE	RESOLUTION
LX-250	5-250 LB Grooved Pulleys	0.5 LB
LX-500	25-500 LB Grooved Pulleys	1 LB
LXR-250	5-250 LB 1" Tape Roller	0.5 LB
LXR-500	25-500 LB 1" Tape Roller	1 LB

* Please provide material's thickness, width, or diameter with order.



LX SERIES

Use the LX-Series on round-shaped materials with tension ranges above 5 lbs.



LXR SERIES

Use the LXR-Series for flat, thin materials up to 1" wide, such as tapes or ribbons.

AVAILABLE OPTIONS FOR ALL INSTRUMENTS

Note: Add option designator to the end of the part number. (for example, a Model LX-250-E denotes a standard, LX-250 with the optional RS-232, serial output function installed).

-A **ANALOG OUTPUT OPTION.** 0-5 VDC or 4-20 mA with software-definable ending sequences. Provided with 10' cable. Data outputted at 40 Hz.

-E **RS-232 SERIAL OUTPUT OPTION.** Provided with 10' cable to interface with your receiving device. Select data sampling rate from 1, 2 or 5 Hz.

• **INPUT REAL-TIME SERIAL DATA** into any Windows® application using the optional software WinWedge Pro® for Windows, or configure your Windows® operating system to capture the data via Hyper Terminal®.

SPECIFICATIONS

- Approximate weight is 1-1/2 lb (Weight varies depending upon instrument configuration).
- Re-chargeable NIMH battery with power supply provided. Approximately 6 hours of operation per battery charge depending upon backlighting intensity.
- Power Supply operates with input voltages from 100 – 240V and includes several, interchangeable "blades" allowing use with European, US, Australian and other plug configurations.
- Automatic shutoff after 10 minutes of non-use.
- Instruments may be operated continuously while connected to power supply.
- Durable, lightweight carrying case with protective foam inserts.
- **CE** certification complying with heavy, industrial immunity standards.



733 South Bowen Street
 Longmont, CO 80501
 Tel: (303) 702-1980 Fax: (303) 702-1982
 E-Mail: tensionmeters@tensitron.com
 Web: www.tensitron.com