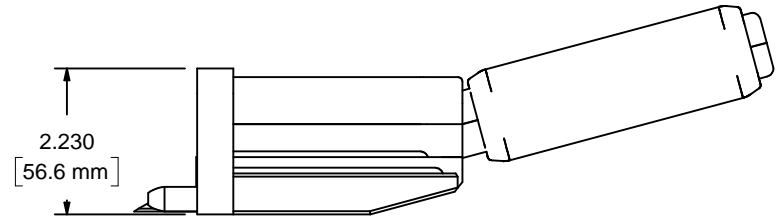
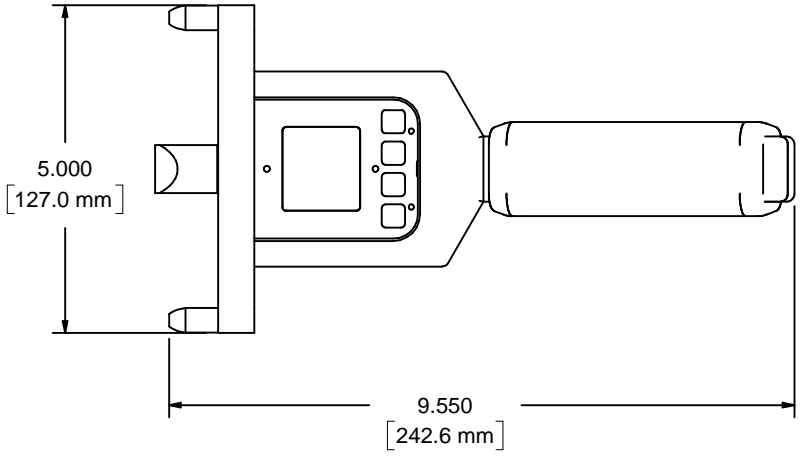
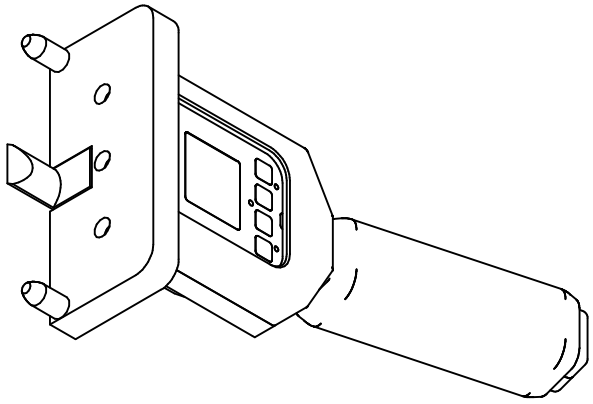



Revisions			
SYM	Description	Date	Approval



Material			Finish CLEAR ANODIZE		Heat Treat		
DIMENSIONAL TOLERANCES UNLESS OTHERWISE SPECIFIED			TITLE		Weight		
FRAC.	DEC.	ANG.	STX-250 DIGITAL STRAP TENSION METER		 733 South Bowen Street Longmont, CO 80501		
± 1/64	± .005	± 30°					
Scale 2:1	No. Req'd		Drawn SHS	Date 10-20-09	Size	Drawing Number	Issue
Next Assy			Checked	Date			
			Approved	Date			