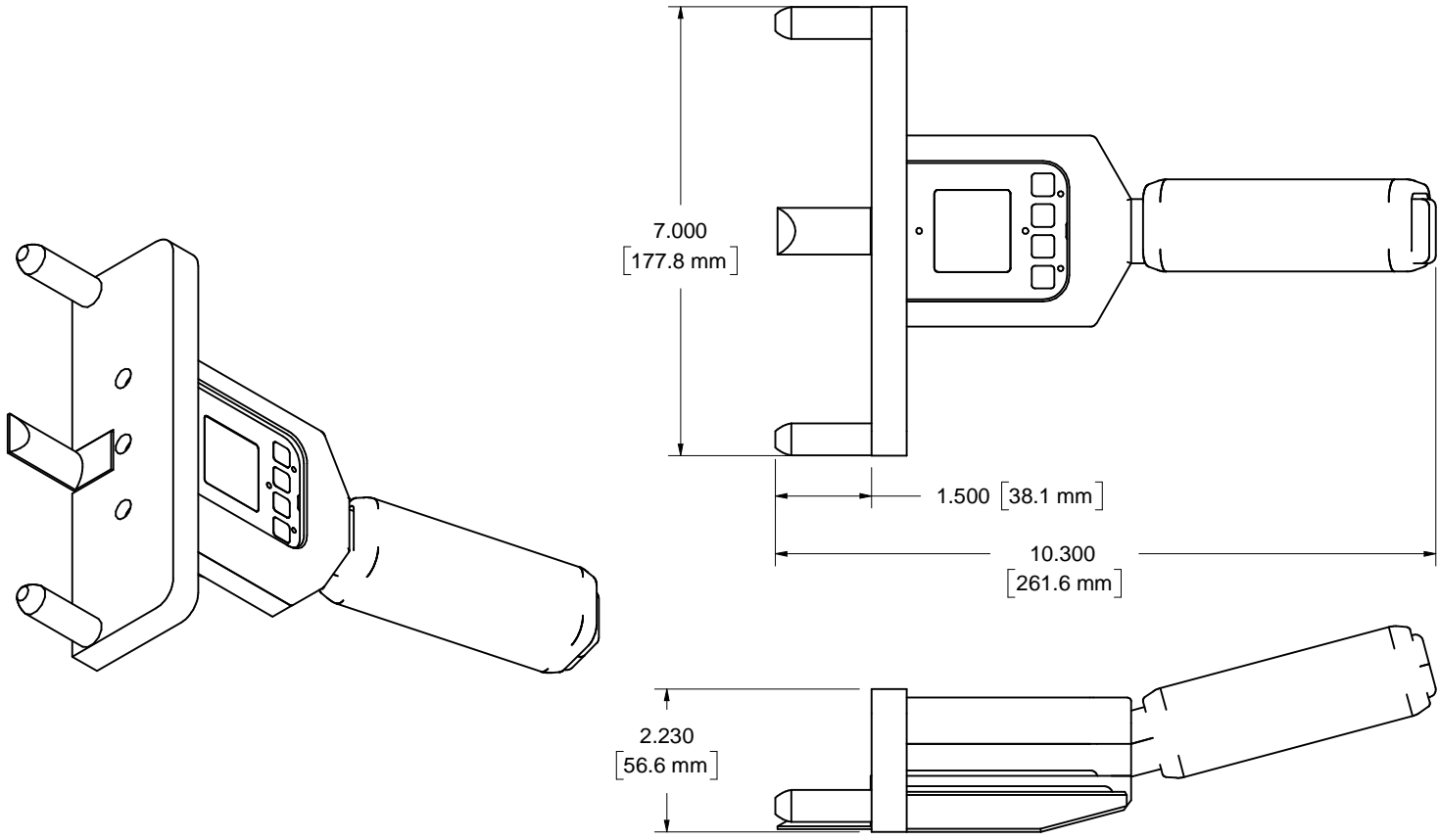



Revisions			
SYM	Description	Date	Approval



Material			Finish CLEAR ANODIZE		Heat Treat		
DIMENSIONAL TOLERANCES UNLESS OTHERWISE SPECIFIED			TITLE		Weight		
FRAC.	DEC.	ANG.	STXM-1000 DIGITAL STRAP TENSION METER		 733 South Bowen Street Longmont, CO 80501		
± 1/64	± .005	± 30°					
Scale	3:1	No. Req'd	Drawn	SHS	Date	10-20-09	Size
Next		Assy	Checked	Date		Drawing Number	
Assy			Approved	Date		Issue	