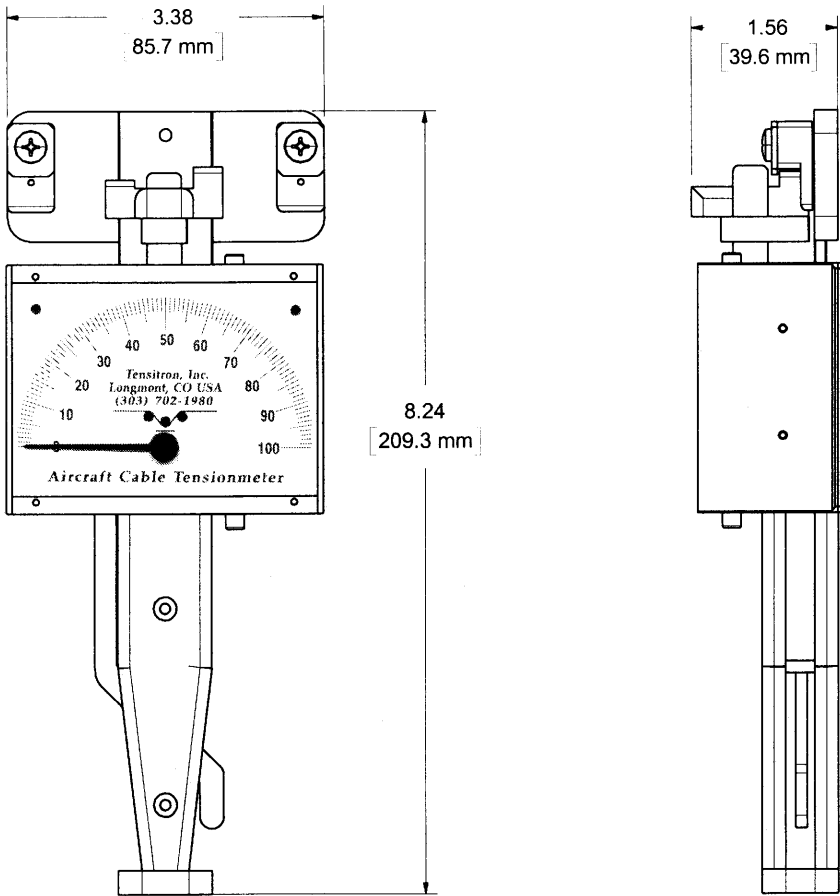



Revisions			
SYM	Description	Date	Approval



Material 6061			Finish TUMBLE, ANODIZE			Heat Treat		
DIMENSIONAL TOLERANCES UNLESS OTHERWISE SPECIFIED			TITLE			Weight		
FRAC.	DEC.	ANG.	ACM-200 AIRCRAFT CABLE TENSION METER			 733 South Bowen Street Longmont, CO 80501		
± 1/64	± .005	± 30'						
Scale 1:2	No. Req'd		Drawn SHS	Date 10-24-06	Size	Drawing Number		Issue
Next Assy			Checked	Date				1
			Approved	Date				