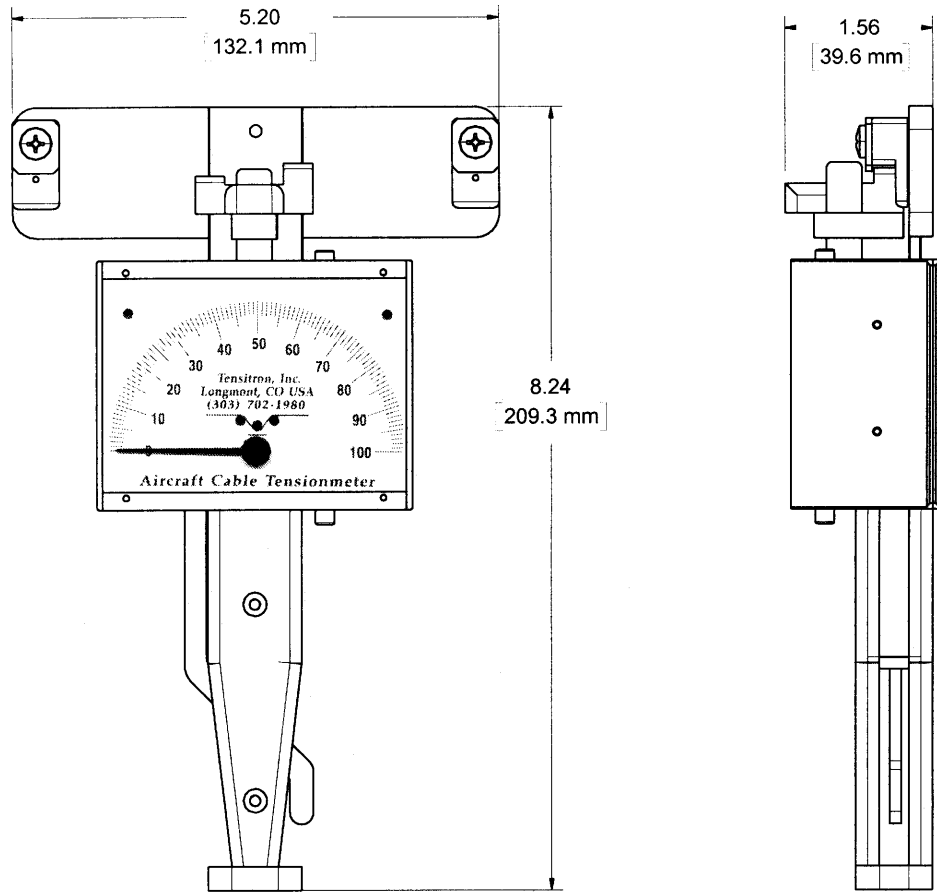



Revisions			
SYM	Description	Date	Approval



Material 6061			Finish TUMBLE, ANODIZE			Heat Treat			
DIMENSIONAL TOLERANCES UNLESS OTHERWISE SPECIFIED			TITLE			Weight			
FRAC.	DEC.	ANG.	ACM-600 AIRCRAFT CABLE TENSION METER			 733 South Bowen Street Longmont, CO 80501			
± 1/64	± .005	± 30°							
Scale 1:2	No. Req'd	Drawn SHS	Date 10-25-06	Size	Drawing Number	Issue			
Next Assy		Checked	Date				1		
		Approved	Date						