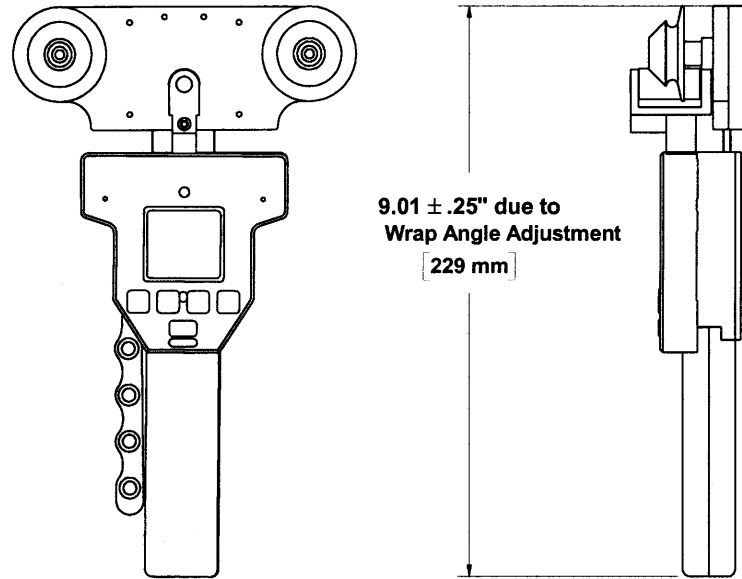
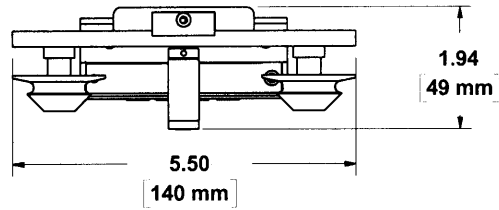



Revisions			
SYM	Description	Date	Approval



Material 6061			Finish TUMBLE, CLEAR ANODIZE			Heat Treat			
1:2 DIMENSIONAL TOLERANCES UNLESS OTHERWISE SPECIFIED			TITLE			Weight			
FRAC.	DEC.	ANG.	LX DIGITAL TENSION METER			 733 South Bowen Street Longmont, CO 80501			
± 1/64	± .005	± 30'							
Scale 1:3	No. Req'd	Drawn SHS	Date 7-12-06	Size	Drawing Number				Issue
Next Assy		Checked	Date						
		Approved	Date						