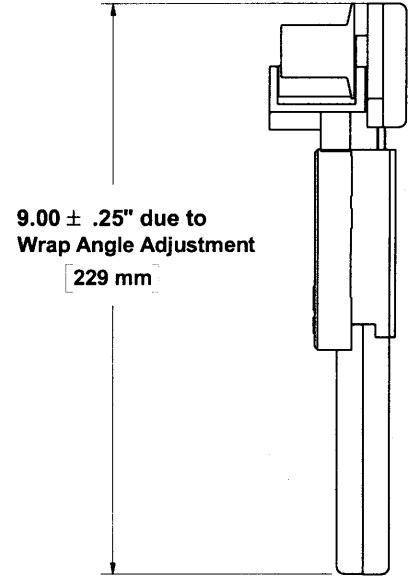
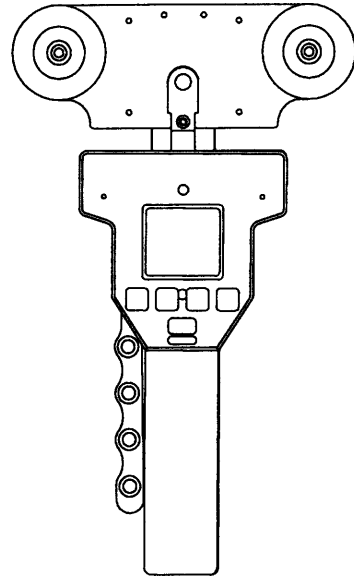
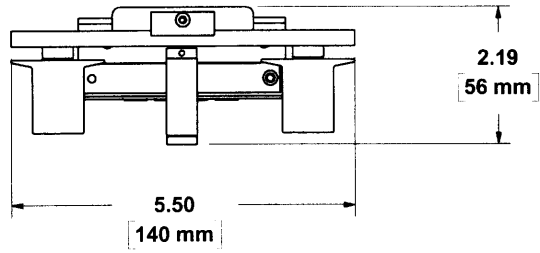



Revisions			
SYM	Description	Date	Approval



Material 6061			Finish TUMBLE, ANODIZE			Heat Treat			
DIMENSIONAL TOLERANCES UNLESS OTHERWISE SPECIFIED			TITLE			Weight			
FRAC.	DEC.	ANG.	LXR DIGITAL TENSION METER			 733 South Bowen Street Longmont, CO 80501			
± 1/64	± .005	± 30'							
Scale 1:3	No. Req'd	Drawn SHS	Date 7-14-06	Size	Drawing Number				Issue
Next Assy		Checked	Date						1
		Approved	Date						