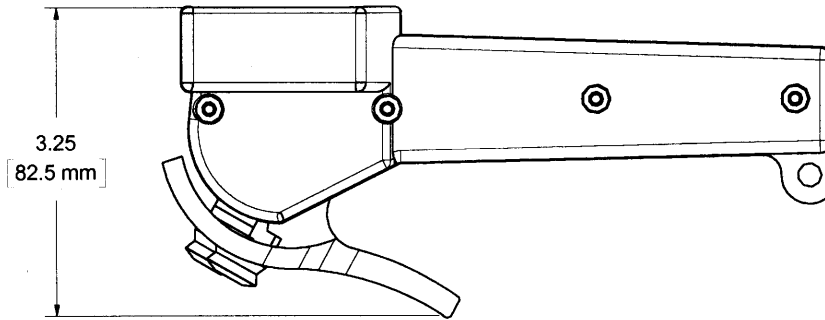
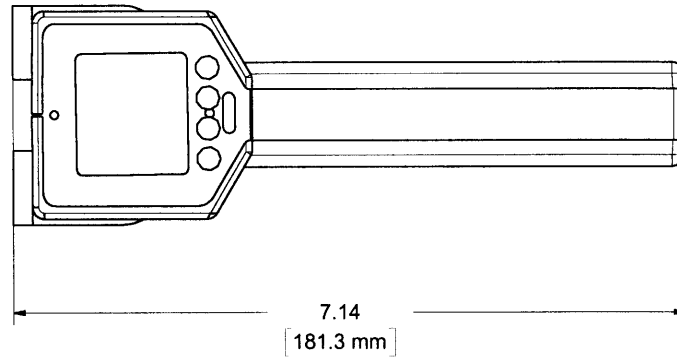
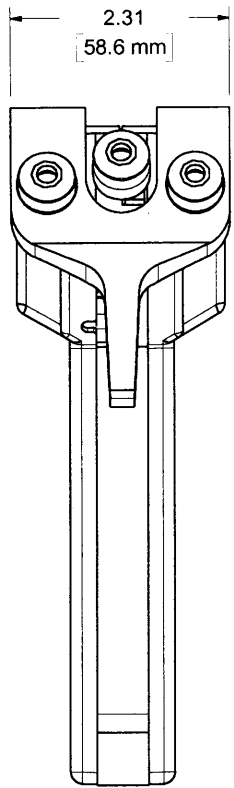



Revisions			
SYM	Description	Date	Approval



Material 6061			Finish POLISH			Heat Treat		
DIMENSIONAL TOLERANCES UNLESS OTHERWISE SPECIFIED			TITLE			Weight		
FRAC.	DEC.	ANG.	TX SERIES OF DIGITAL TENSION METERS			 733 South Bowen Street Longmont, CO 80501		
± 1/64	± .005	± 30'						
Scale 1:2	No. Req'd		Drawn SHS	Date 7-13-06	Size	Drawing Number	Issue	
Next Assy			Checked	Date			1	
			Approved	Date				