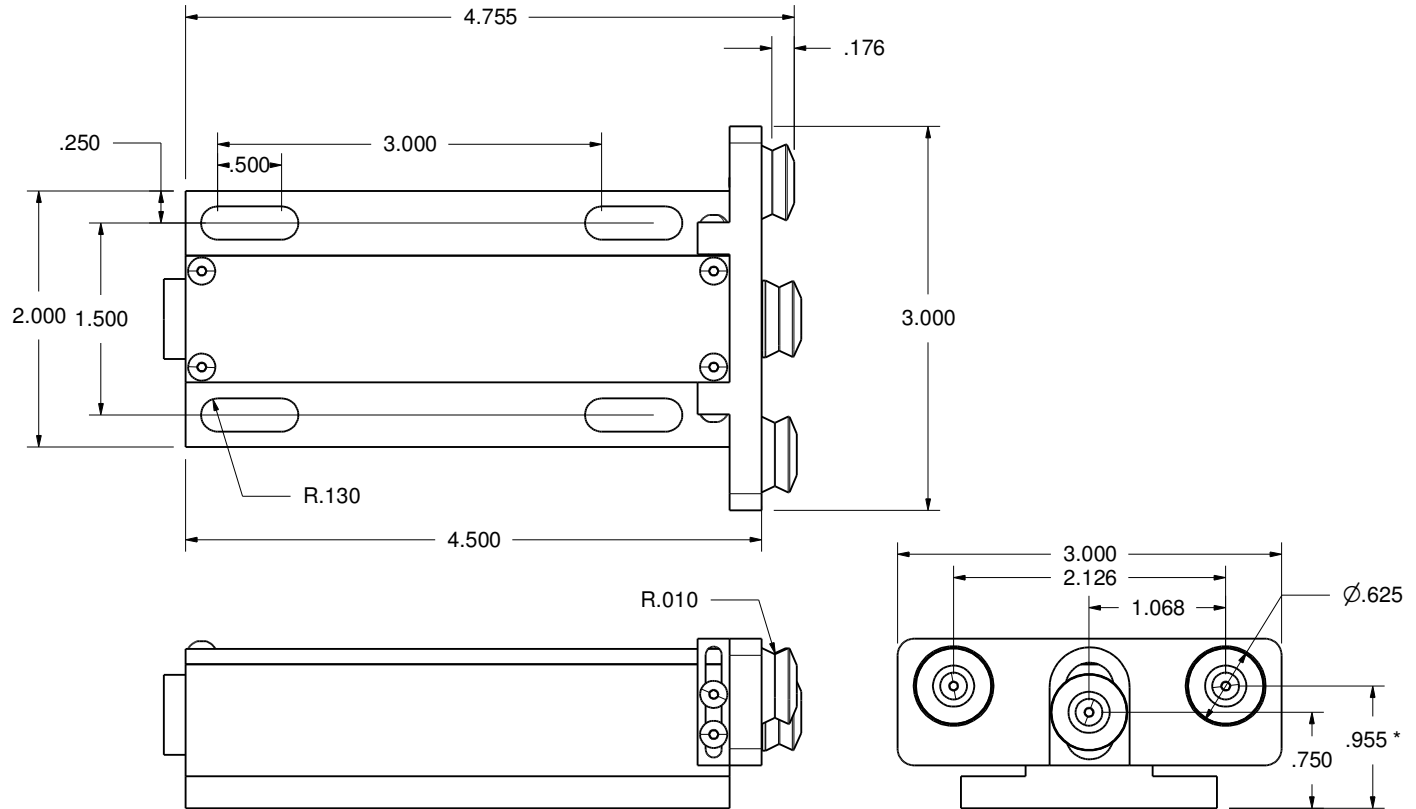


# Typical Transducer Specifications


- \*Tension Range: Supplied to Customer's requirements.
- \*Contact Elements: To fit Customer's application.
- \*Operating Temperature: 70° ± 25°
- \*Connecting Terminals: 5 pin Amphenol plug or terminated ends.
- \*Excitation Voltage: 4-10 VDC
- \*Bridge Resistance: 350 Ohms nominal.
- \*Output Signal: 1.0 - 2.0 mv/V FS nominal.
- \*Resistance to Ground: Exceeding 500 Megaohms.
- \*Zero Balance: Less than 1.5% FS.
- \*Drift at Midpoint: 0.2%
- \*Noise Level: Less than 0.2%.
- \*Linearity: ± 0.5%
- \*Combined Linearity & Hysteresis: ± .75%
- \*Total Error: 1% FS
- \*Overload Tension: 50% Overated.
- \*Shielded Cable: 10' Standard length.



		Revision History			
Zone	Rev.	Description	Description	Date	Approval
N/A	2	REDRAWN		7-10-14	M. BROCKMAN

\* NOTE 1.  
ADJUSTMENT TO RAISE OR LOWER  
OUTSIDE ROLLER POSITION ALLOWING  
USER TO INCREASE OR DECREASE  
MATERIAL WRAP ANGLE.

NOTE 2.  
STANDARD, MAXIMUM TENSION RANGES  
OF 1,000 AND 5,000 GRAMS. CUSTOM  
RANGES AND ROLLER CONFIGURATIONS  
AVAILABLE.

Material	ALUMINUM			Finish	CLEAR ANODIZE		Heat Treat				
DIMENSIONAL TOLERANCES UNLESS OTHERWISE SPECIFIED				TITLE				Weight			
.XXXX	.XXX	.XX	ANGLE	TYPICAL SMALL SPACE TRANSDUCER WITH 3" ADJUSTABLE FACEPLATE				 733 South Bowen Street Longmont, CO 80501			
± .0005	± .005	± .01	± 1°								
Scale	1:1.5	No. Req'd									
Next Assy				Drawn	SHS	Date	1-15-08	Size	Drawing Number		REV
				Checked			Date			FT-107	2
				Approved			Date				