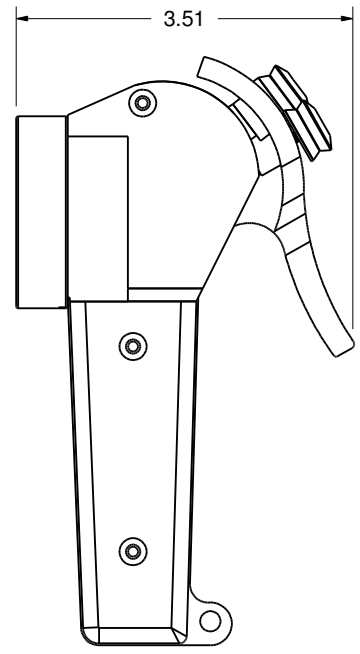
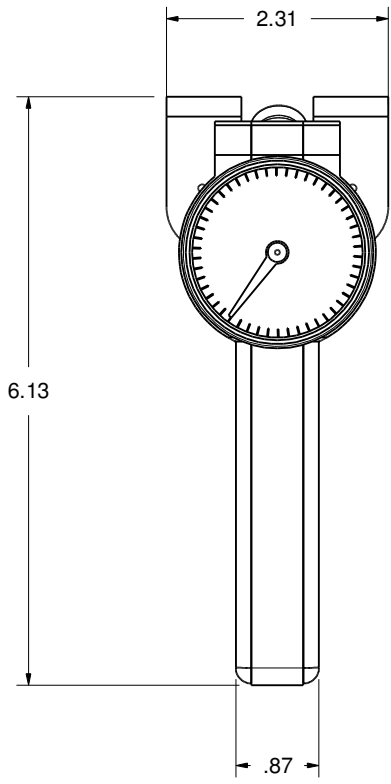


A B C D E F G

Revision History				
Zone	Rev.	Description	Date	Approval



Material			
Finish			
Heat Treat			
Weight			
DIMENSIONAL TOLERANCES UNLESS OTHERWISE SPECIFIED			
.XXXX	.XXX	.XX	ANGLE
±.0005	±.005	±.01	± 1°
Scale	No. Req'd 1		
Next Assy			

TITLE "TRIGGER" MODEL MECHANICALFILAMENT AND WIRE TENSION METER (Representative of all models)	
Drawn M. BROCKMAN	Date 6-5-14
Checked	Date
Approved	Date

733 South Bowen Street Longmont, CO 80501		
Size	Drawing Number	REV
	TR ASSY WITH BORDER	1

A B C D E F G

1
2
3
4
5
6

1
2
3
4
5
6