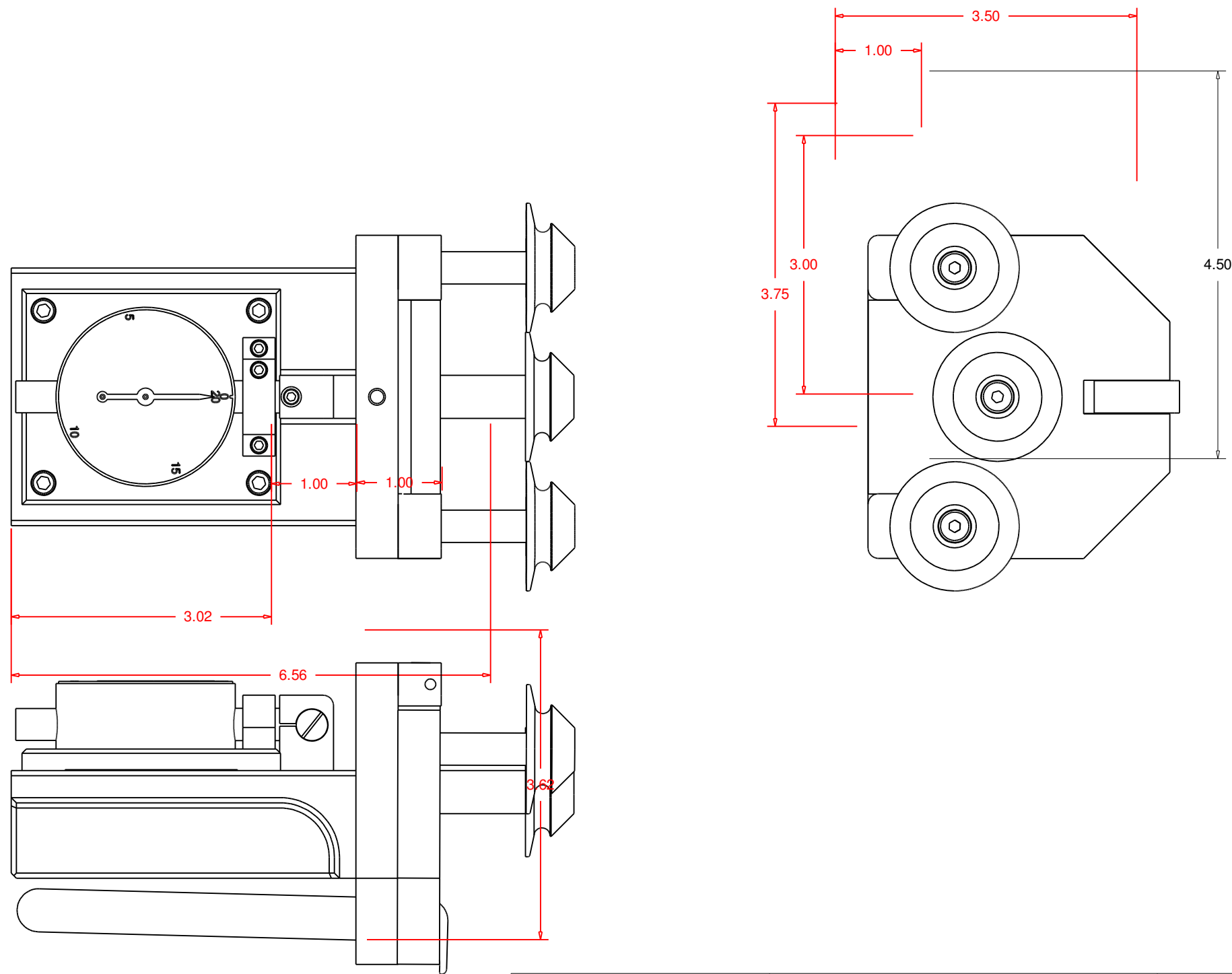
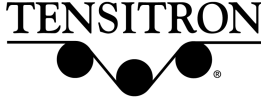


Revisions			
SYM	Description	Date	Approval



Material			Finish			Heat Treat			
DIMENSIONAL TOLERANCES UNLESS OTHERWISE SPECIFIED			Title			Weight			
FRAC.	DEC.	ANG.	TENSION METER			 733 South Bowen Street Longmont, CO 80501			
± 1/64	± .005	± 30'							
Scale	1:1.5	No Req'd	Drawn	SHS	Date	6-7-11	Size	Drawing Number	Issue
Next Assy			Checked	Date		BTM-20-1			
			Approved	Date					2