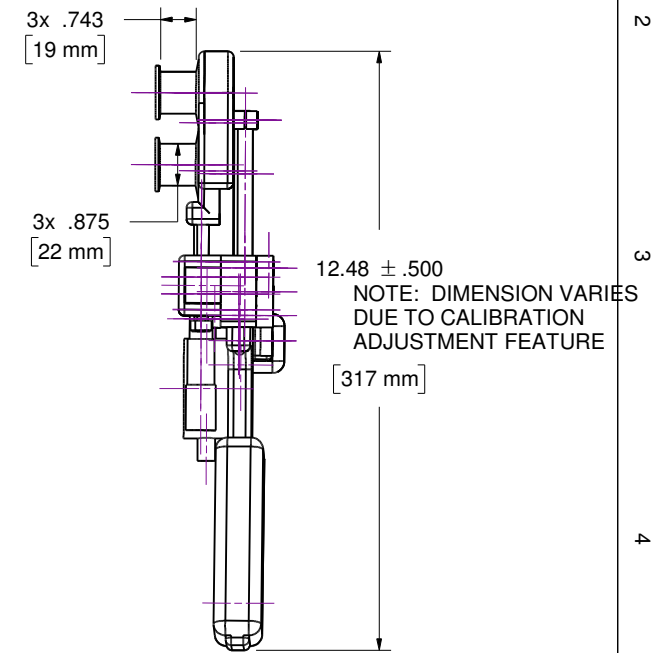
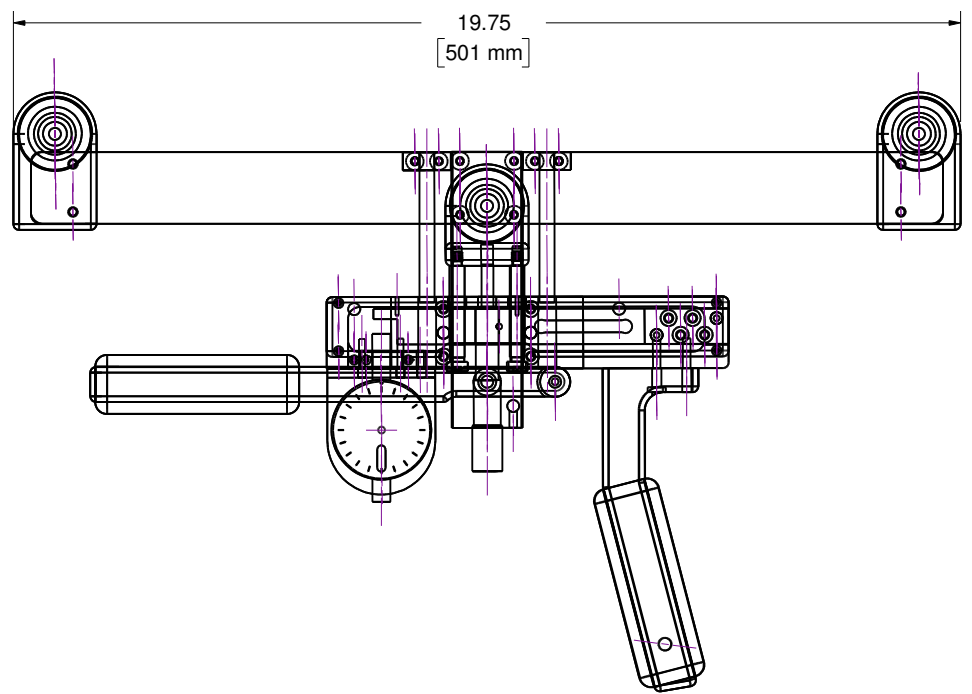



A B C D E F G

Revision History				
Zone	Rev.	Description	Date	Approval



Material 6061				Finish TUMBLE, CLEAR ANODIZE		Heat Treat		
DIMENSIONAL TOLERANCES UNLESS OTHERWISE SPECIFIED				TITLE		Weight		
.XXXX	.XXX	.XX	ANGLE	CABLE METER 1,000 LB RANGE		 733 South Bowen Street Longmont, CO 80501		
±.0005	±.005	±.01	± 1°					
Scale 1:4		No. Req'd		Drawn SHS	Date 11-13-07			
Next Assy				Checked	Date			3
				Approved	Date			

A B C D E F G