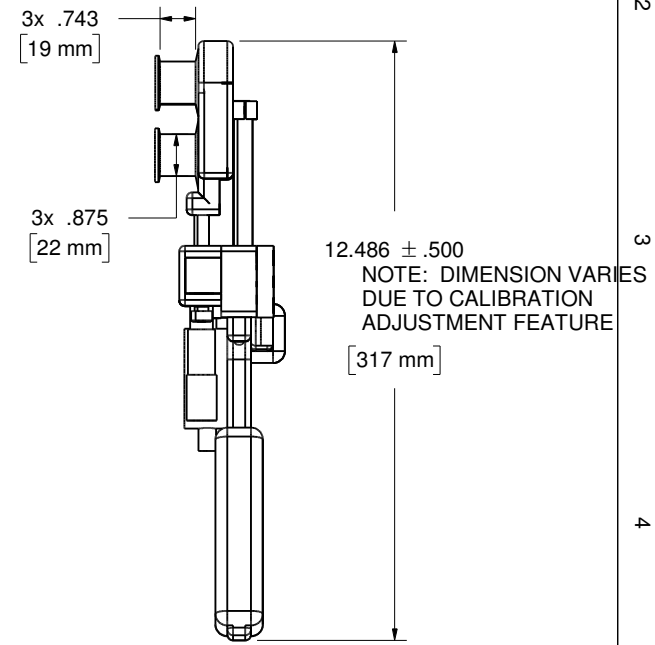
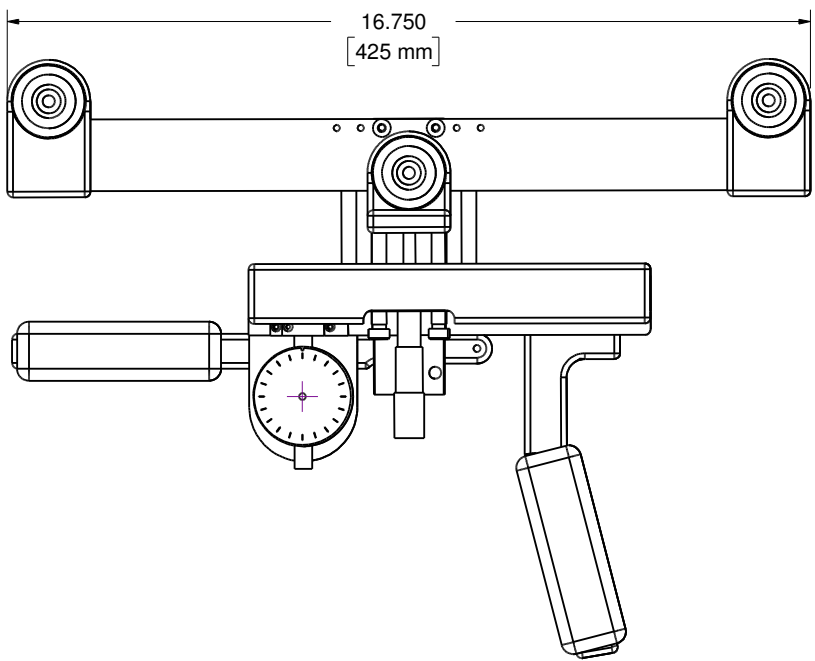



A B C D E F G

Revision History				
Zone	Rev.	Description	Date	Approval



Material	6061		
DIMENSIONAL TOLERANCES UNLESS OTHERWISE SPECIFIED			
.XXXX	.XXX	.XX	ANGLE
± .0005	± .005	± .01	± 1°
Scale	1:4	No. Req'd	
Next Assy			

Finish	TUMBLE, CLEAR ANODIZE		
TITLE			
CABLE METER 500 LB AND LOWER RANGES			
Drawn	SHS	Date	11-09-07
Checked			Date
Approved			Date

Heat Treat		
Weight		
		
733 South Bowen Street Longmont, CO 80501		
Size	Drawing Number	REV
		3

A B C D E F G

1
2
3
4
5
6

1
2
3
4
5
6