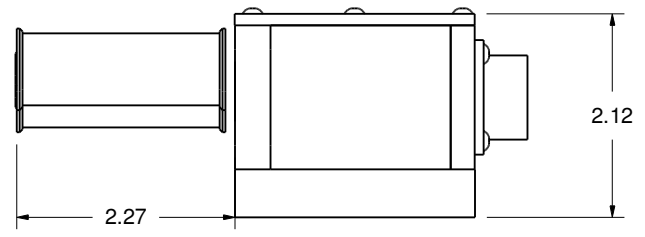
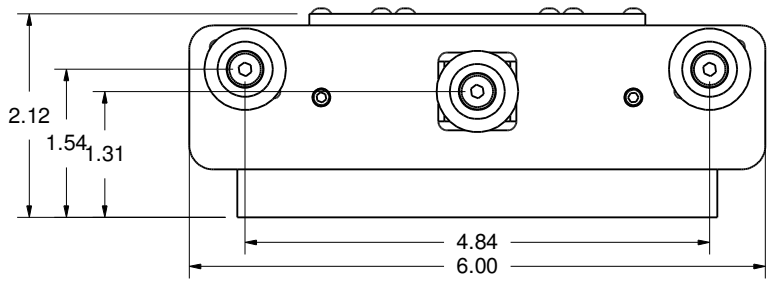
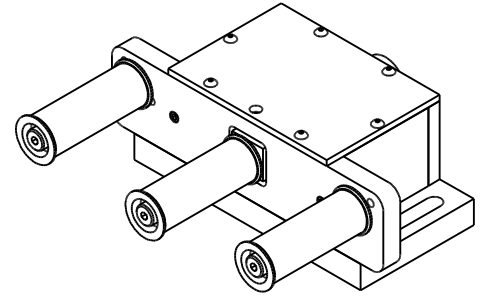
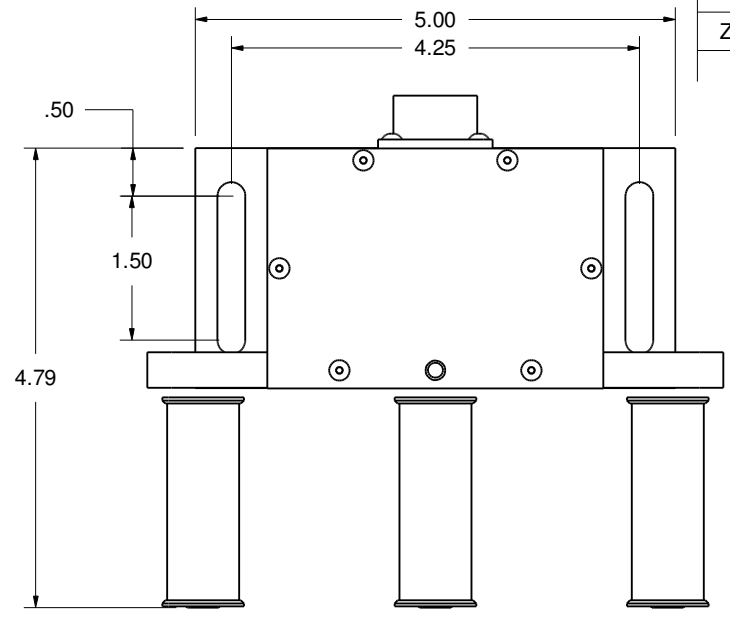


A B C D E F G

Revision History


Zone	Rev.	Description	Date	Approval



Typical Transducer Specifications

- \*Tension Range: Supplied to Customer's requirements.
- \*Contact Elements: To fit application.
- \*Operating Temperature: 70 ± 25° F. (Special ranges available)
- \*Connecting Terminals: 5 pin Amphenol plug or terminated ends.
- \*Excitation Voltage: 4-10 VDC.
- \*Bridge Resistance: 350 ohms nominal.
- \*Output Signal: 1.0 - 2.0 mv/V nominal.
- \*Resistance to Ground: Exceeding 500 Megaohms.
- \*Zero Balance: Less than 1.5% FS
- \*Drift at Midpoint: 0.2%
- \*Noise Level: Less than 0.2%
- \*Linearity: 0.5%
- \*Combined Linearity & Hysteresis: ± .75%
- \*Total Error: 1% FS
- \*Overload Tension: 50% Overated
- \*Shielded Cable: 10' standard length.

- NOTE 1. MAXIMUM TENSION RANGE OF 150 LBS (75 KG) OVER SEVERAL RANGES.
- NOTE 2. PULLEY DIAMETERS, MATERIAL AND LENGTH TBD BY APPLICATION.
- NOTE 3. POSITIONING OF OUTER ROLLERS CAN BE ADJUSTED (THREE POSITIONS) TO INCREASE OR DECREASE WRAP ANGLE.

Material	ALUMINUM	Finish	CLEAR ANODIZE	Heat Treat	
DIMENSIONAL TOLERANCES UNLESS OTHERWISE SPECIFIED		TITLE		Weight	
.XXXX	.XXX	.XX	ANGLE	 733 South Bowen Street Longmont, CO 80501	
± .0005	± .005	± .01	± 1°		
Scale	1:2	No. Req'd			
Next Assy		Drawn	SHS	Date	3-6-08
		Checked		Date	
		Approved		Date	
			Size	Drawing Number	REV
				E-091-02	1

A B C D E F G