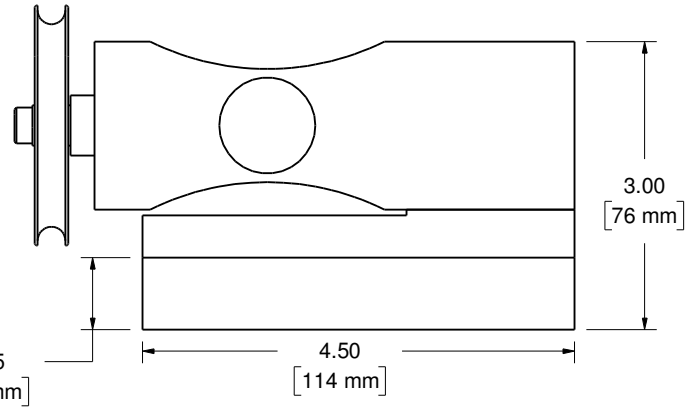
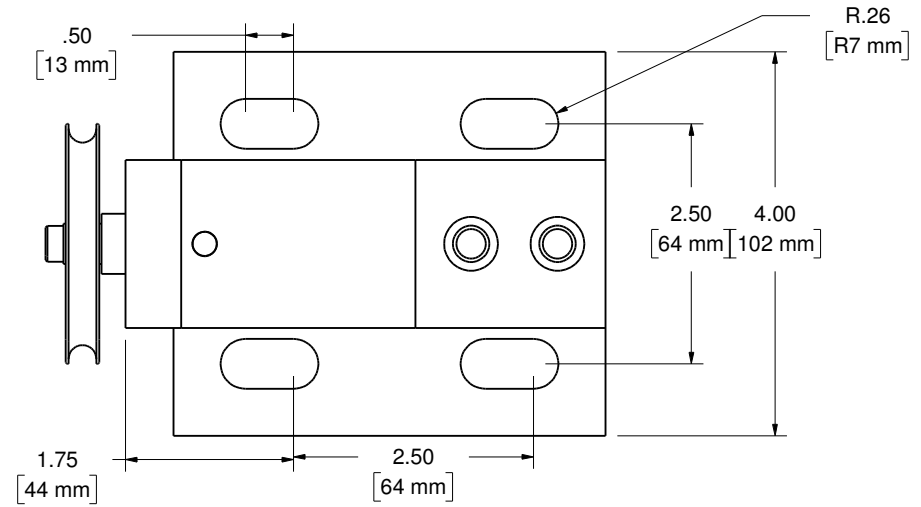
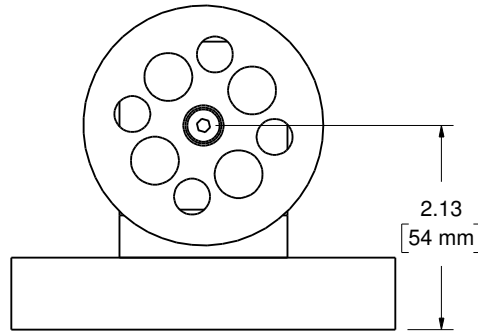
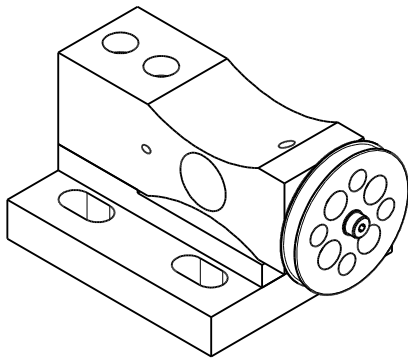


Typical Transducer Specifications


- *Tension Range: Supplied to Customer's requirements.
- *Contact Elements: To fit application.
- *Operating Temperature: 70 ± 25 F. (Special ranges available)
- *Connecting Terminals: 5 pin Amphenol plug or terminated ends.
- *Excitation Voltage: 4-10 VDC.
- *Bridge Resistance: 350 ohms nominal.
- *Output Signal: 1.0 - 2.0 mv/V nominal.
- *Resistance to Ground: Exceeding 500 Megaohms.
- *Zero Balance: Less than 1.5% FS
- *Drift at Midpoint: 0.2%
- *Noise Level: Less than 0.2%
- *Linearity: 0.5%
- *Combined Linearity & Hysteresis: ±.75%
- *Total Error: 1% FS
- *Overload Tension: 50% Overated
- *Shielded Cable: 10' standard length.



Revision History				
Zone	Rev.	Description	Date	Approval
N/A	1	MODELED AND REDRAWN	9-15-14	M. BROCKMAN

Application Note:

Roller configuration adjustable to meet specific applications. For optimum accuracy evenly guide material over pulley with a minimum wrap angle of 12°. For best accuracy keep wrap angle as consistent as possible.

Material ALUMINUM		Finish CLEAR ANNOXIDIZED		Heat Treat	
DIMENSIONAL TOLERANCES UNLESS OTHERWISE SPECIFIED		TITLE NOTCHED BEAM TRANSDUCER ASSEMBLED TO PEDESTAL		Weight	
.XXXX	.XXX	.XX	ANGLE	 733 South Bowen Street Longmont, CO 80501	
±.0005	±.005	±.01	± 1°		
Scale	No. Req'd		1		
Next Assy	Drawn M. BROCKMAN		Date 9-15-14	Size	Drawing Number
	Checked		Date		E-095-01
	Approved		Date		REV
					1