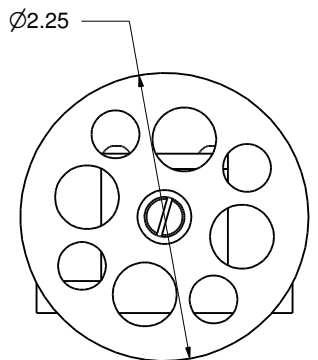
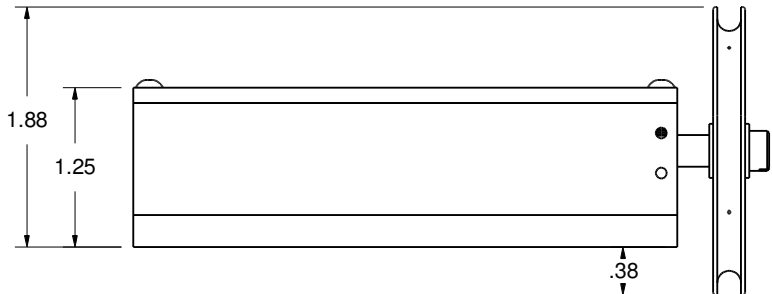
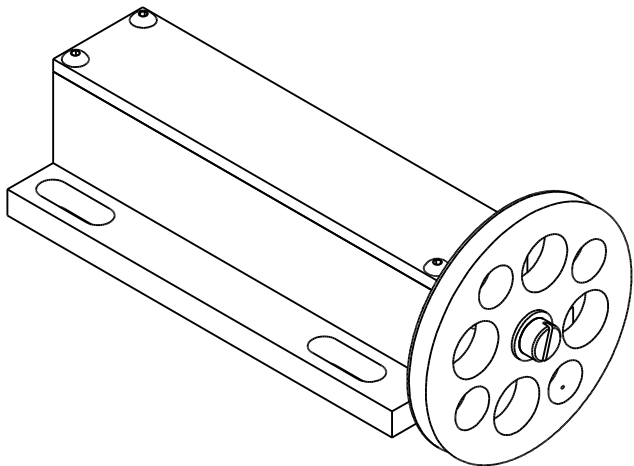
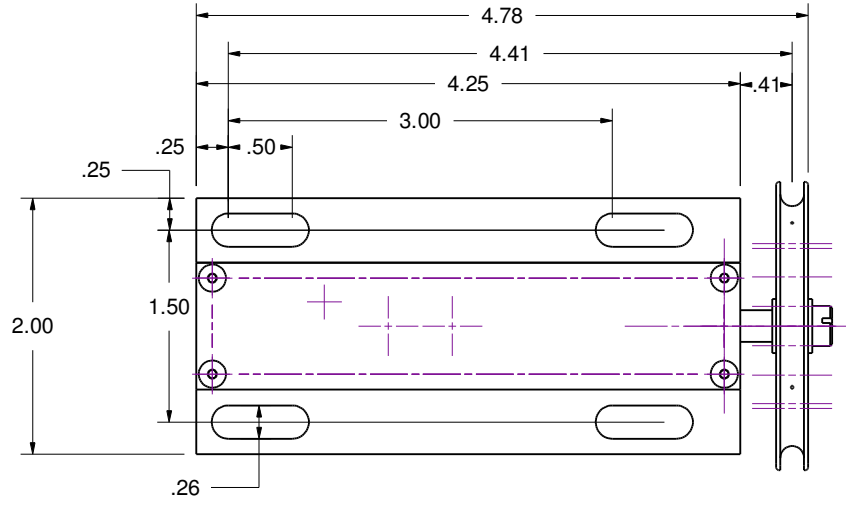


# Typical Transducer Specifications


- \*Tension Range: Supplied to Customer's requirements.
- \*Contact Elements: To fit application.
- \*Operating Temperature: 70 ± 25° F. (Special ranges available)
- \*Connecting Terminals: 5 pin Amphenol plug or terminated ends.
- \*Excitation Voltage: 4-10 VDC.
- \*Bridge Resistance: 350 ohms nominal.
- \*Output Signal: 1.0 - 2.0 mv/V nominal.
- \*Resistance to Ground: Exceeding 500 Megaohms.
- \*Zero Balance: Less than 1.5% FS
- \*Drift at Midpoint: 0.2%
- \*Noise Level: Less than 0.2%
- \*Linearity: 0.5%
- \*Combined Linearity & Hysteresis: ± .75%
- \*Total Error: 1% FS
- \*Overload Tension: 50% Overated
- \*Shielded Cable: 10' standard length.

		Revision History		
Zone	Rev.	Description	Date	Approval
N/A	2	REMODELED AND REDRAWN	7-11-14	M. BROCKMAN



## Application Note:

Roller configuration adjustable to meet specific applications. For optimum accuracy evenly guide material over pulley with a minimum wrap angle of 12°. For best accuracy keep wrap angle as consistent as possible.

Material	ALUMINUM	Finish	CLEAR ANODIZE	Heat Treat	
DIMENSIONAL TOLERANCES UNLESS OTHERWISE SPECIFIED				Weight	
.XXXX	.XXX	.XX	ANGLE	 733 South Bowen Street Longmont, CO 80501	
± .0005	± .005	± .01	± 1°		
Scale	1:5	No. Req'd	Drawn	SHS	Date
			Checked		Date
Next Assy			Approved		Date
			Date	5-3-11	
			TITLE		Size
			TYPICAL SMALL SPACE TRANSDUCER WITH 2-1/4" PULLEY		Drawing Number
					REV
					E-415-002
					2