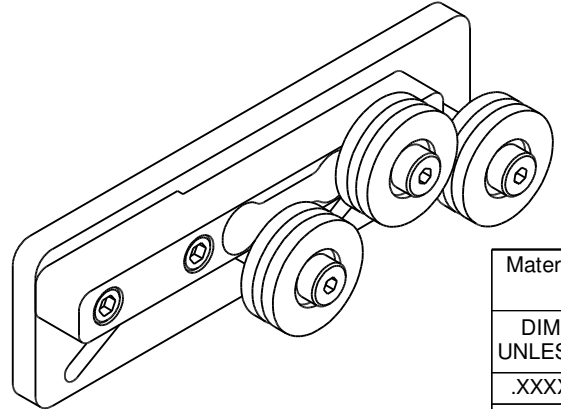
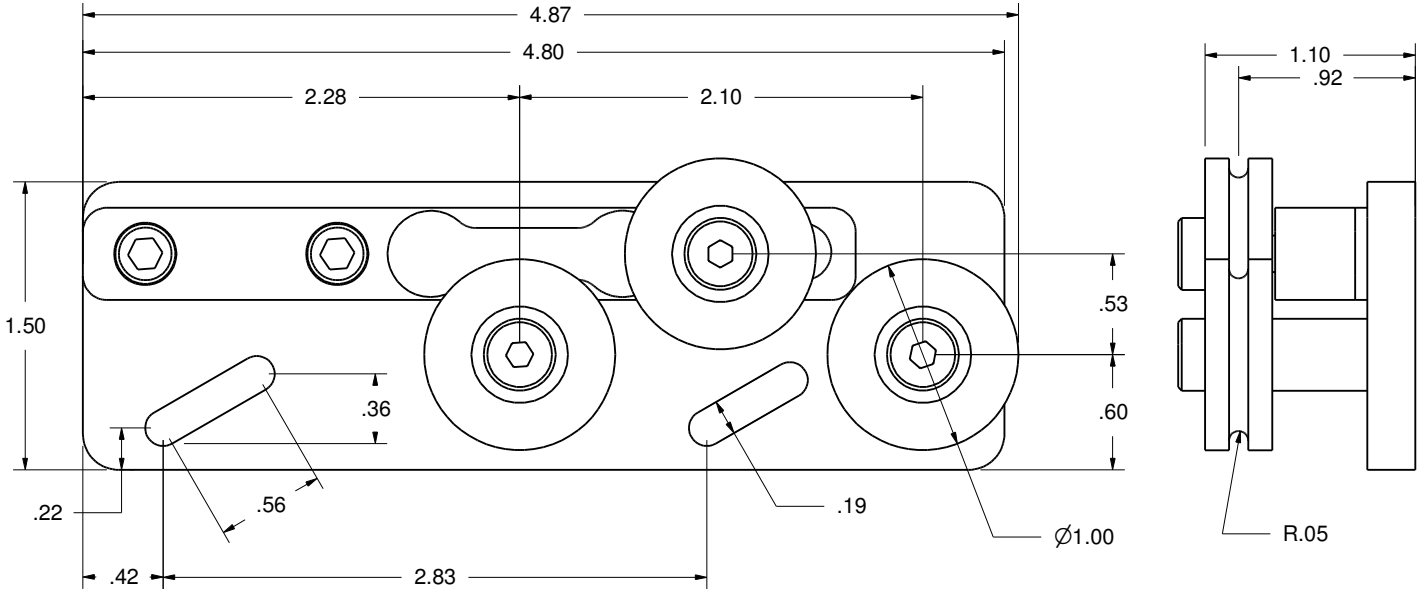



# Typical Transducer Specifications

- \*Tension Range: Supplied to Customer's requirements.
- \*Contact Elements: To fit application.
- \*Operating Temperature: 70 ± 25° F. (Special ranges available)
- \*Connecting Terminals: 5 pin Amphenol plug or terminated ends.
- \*Excitation Voltage: 4-10 VDC.
- \*Bridge Resistance: 350 ohms nominal.
- \*Output Signal: 1.0 - 2.0 mv/V nominal.
- \*Resistance to Ground: Exceeding 500 Megaohms.
- \*Zero Balance: Less than 1.5% FS
- \*Drift at Midpoint: 0.2%
- \*Noise Level: Less than 0.2%
- \*Linearity: 0.5%
- \*Combined Linearity & Hysteresis: ± .75%
- \*Total Error: 1% FS
- \*Overload Tension: 50% Overated
- \*Shielded Cable: 10' standard length.

Revision History				
Zone	Rev.	Description	Date	Approval
N/A	2	REMODELED AND REDRAWN	7/14/14	M. BROCKMAN



Material ALUMINUM		Finish CLEAR ANODIZE		Heat Treat	
DIMENSIONAL TOLERANCES UNLESS OTHERWISE SPECIFIED		TITLE		Weight	
.XXXX	.XXX	.XX	ANGLE	 733 South Bowen Street Longmont, CO 80501	
± .0005	± .005	± .01	± 1°		
Scale 1:1	No. Req'd	Drawn SHS	Date 6-22-07	Size	Drawing Number
Next Assy		Checked	Date	FT-116	
		Approved	Date		
					2