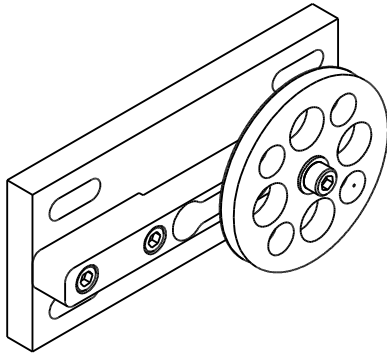
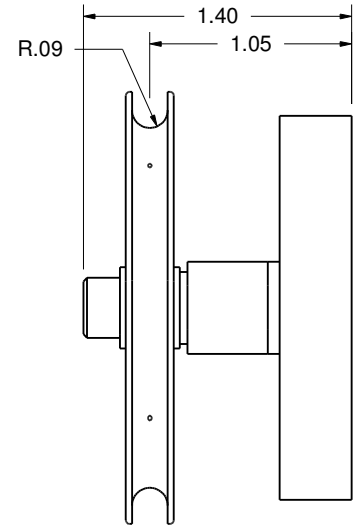
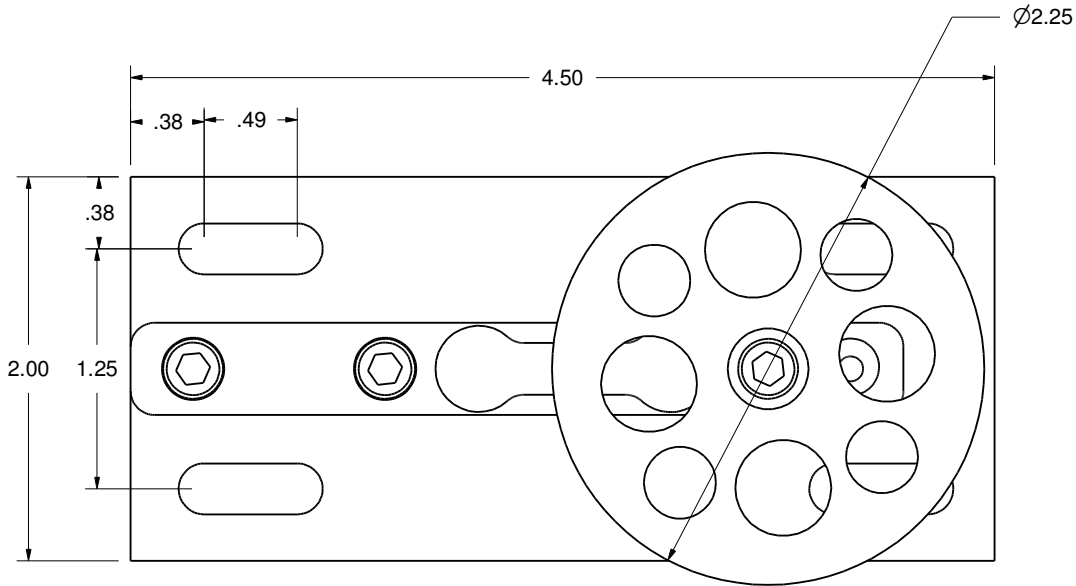


Typical Transducer Specifications

- *Tension Range: Supplied to Customer's requirements.
- *Contact Elements: To fit application.
- *Operating Temperature: 70 ± 25° F. (Special ranges available)
- *Connecting Terminals: 5 pin Amphenol plug or terminated ends.
- *Excitation Voltage: 4-10 VDC.
- *Bridge Resistance: 350 ohms nominal.
- *Output Signal: 1.0 - 2.0 mv/V nominal.
- *Resistance to Ground: Exceeding 500 Megaohms.
- *Zero Balance: Less than 1.5% FS
- *Drift at Midpoint: 0.2%
- *Noise Level: Less than 0.2%
- *Linearity: 0.5%
- *Combined Linearity & Hysteresis: ± .75%
- *Total Error: 1% FS
- *Overload Tension: 50% Overated
- *Shielded Cable: 10' standard length.



| | | Revision History | | | |
|------|------|-----------------------|----------|-------------|--|
| Zone | Rev. | Description | Date | Approval | |
| N/A | 2 | REMODELED AND REDRAWN | 7-16-147 | M. BROCKMAN | |



Application Note:

Roller configuration adjustable to meet specific applications. For optimum accuracy evenly guide material over pulley with a minimum wrap angle of 12°. For best accuracy keep wrap angle as consistent as possible.

| | | | | | | | | | | | | |
|---|----------|-----------|-------|----------|--|------|------------|------|----------------|-----|--|--|
| Material | ALUMINUM | | | Finish | CLEAR ANODIZE | | Heat Treat | | | | | |
| DIMENSIONAL TOLERANCES UNLESS OTHERWISE SPECIFIED | | | | TITLE | SENSING BEAM CONFIGURED WITH MOUNTING PLATFORM | | | | | | Weight | |
| .XXXX | .XXX | .XX | ANGLE | | | | | | | | TENSITRON | |
| ± .0005 | ± .005 | ± .01 | ± 1° | | | | | | | | 733 South Bowen Street Longmont, CO 80501 | |
| Scale | 1:1 | No. Req'd | | Drawn | SHS | Date | 6-22-07 | Size | Drawing Number | REV | | |
| Next Assy | | | | Checked | | Date | | | FT-117 | 2 | | |
| | | | | Approved | | Date | | | | | | |